

DRUM-TYPE PAPER FILTER

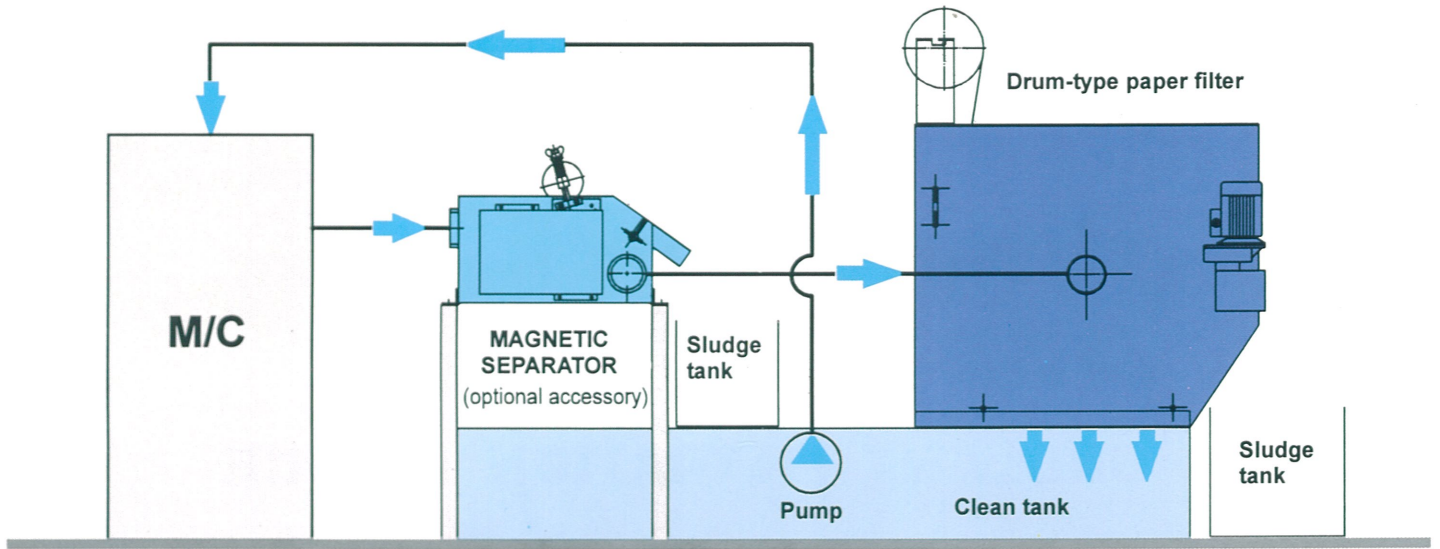
COOLANT FILTRATION DEVICE



FEATURES:

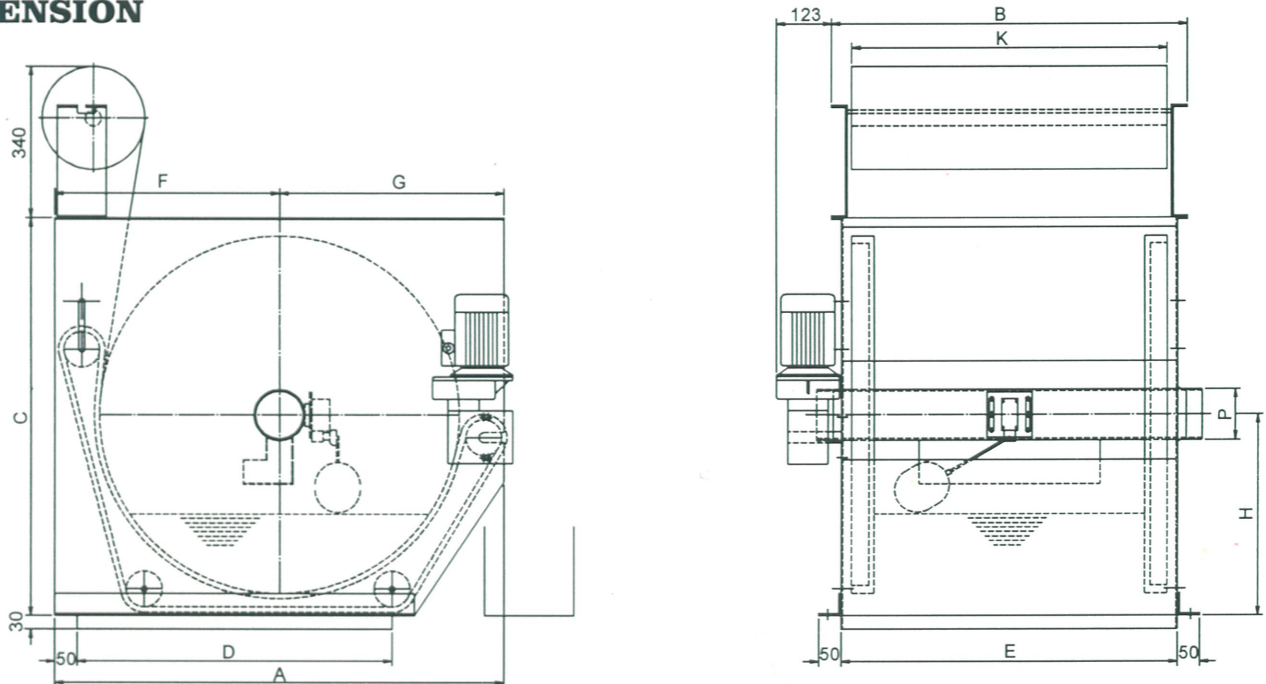
1. Occupy small space, only 1/3 of conventional paper filter.
2. Suitable for coolant filtration to extend change frequency of coolant.
3. Available to filter coolant of ferrous metal, non-ferrous metal and non-metal materials.
4. Full-auto discharge to produce clean coolant so as to provide brilliant surface of workpiece.
5. Filtration effect is subject to paper band. Choose 50 μ , 30 μ or 15 μ .
6. Available to be equipped with magnetic separator for rough filtration to satisfactorily reduce filter paper consumption.

FLOW



- Notes: 1. Catalogue of optional accessories is available upon request.
2. Tank, pump and sludge tank shall be provided according to special requirement of customer.

DIMENSION



MODEL	PAPER WIDTH	DRUM DIA	A	B	C	D	E	F	G	H	MOTOR	INLET
DF-140	500	Ø560	755	590	650	580	546	380	375	330	250W	PT3"
DF-200	700	Ø560	755	790	650	580	746	380	375	330	250W	PT3"
DF-360	700	Ø800	1000	790	890	700	746	500	500	450	250W	PT4"
DF-500	1000	Ø800	1000	1090	890	700	1046	500	500	450	250W	PT4"
DF-1000	1000	Ø1000	1200	1090	1100	890	1048	600	600	560	250W	8"Flange 5K
DF-1500	1500	Ø1000	1200	1590	1100	890	1548	600	600	560	250W	8"Flange 5K
DF-2000	2000	Ø1000	1200	2090	1100	890	2048	600	600	560	250W	8"Flange 5K



UNI MAGNETIC INDUSTRIAL CO., LTD.

NO. 70, LANE 305, SEC 3, CHUNG SHAN RD, TAN TZE TAICHUNG, TAIWAN R. O. C.

TELEPHONE : 886-4-5339765 5329765 FAX : 886-4-5322750